



Description: modular direct emission LED system, composed of an extruded aluminum profile, which can be used both individually and in a continuous row for create cuts of light without interruptions. Thanks to the complete range of accessories, it constitutes a versatile and easy-to-install system: available in the ceiling-mounted versions with ABS spacers h.10mm supplied, suspension and wall fixing using accessories to be ordered separately.

Body: profile in aluminum alloy 6060 T5, painted in "dry" white color with thermosetting epoxy powders at 180 ° C, after degreasing, phosphating and washing treatment. Other colors according to the RAL range are available on request. Supplied without heads and installation accessories (to be ordered separately).

Optical group: PMO optic in microprismatic polycarbonate, UV protected. Optic with controlled light emission UGR <19 and therefore compliant to be installed in environments with use of VDTs. Glow-wire test 850 ° C. Protection degree **IP40**.

Wiring: power supply 220-240V 50 / 60Hz with rigid cable, sect. 0.50 mm² e PVC-HT sheath resistant to 90 ° C according to CEI 20-20 standards. Terminal block with maximum allowed cable cross section of 2.5 mm². Insulation class I. Suitable for installation on normally flammable surfaces.

- LED version with electronic driver with fixed output (ON / OFF), included.
 - LED DALI version with DALI standard digital dimmable electronic driver, included.
- Versions with emergency kit (1/3 hours of autonomy) are available on request.

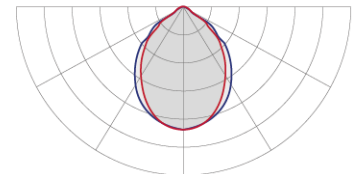
Luminous source: High efficiency LEDs arranged on rigid modules, color rendering CRI> 80 (CRI> 90 available on request), color temperature 3000K or 4000K (LED diode selected 3 MacAdam ellipses in order to guarantee uniform chromaticity), duration> 50000 hours L80 / F10 at Ta = 25 ° C.

Regulations: appliance complies with the following standards:

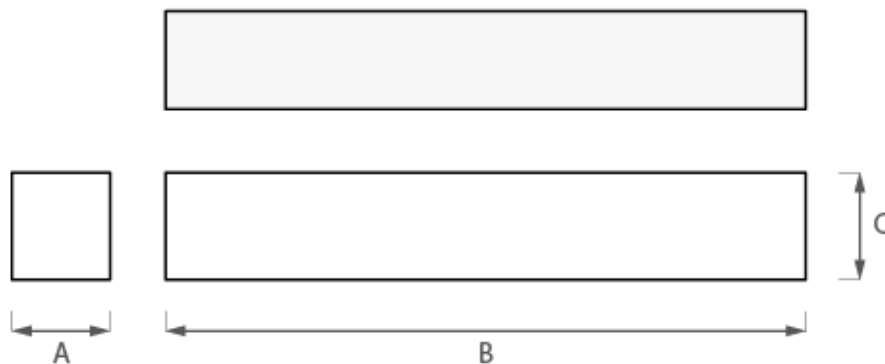
- | | | |
|-----------------|------------------|---------------------------|
| • EN 61547 | • IEC/TR 62471-2 | • EN 60598-2-2 |
| • EN 55015 | • EN 60061-1 | • EN 62471 (risk class 0) |
| • EN 61000-3-2 | • EN 62031 | • EN 62560 |
| • EN 61000-3-3 | • EN 62493 | • EN 60968 |
| • EN 61347-1 | • EN 60598-1 | • CEI 76-10 |
| • EN 61347-2-13 | • EN 60598-2-1 | • EN 60529 |



Demonstration image



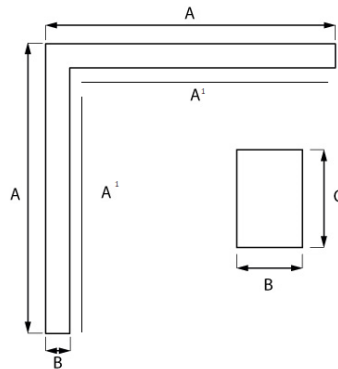
Photometric curve





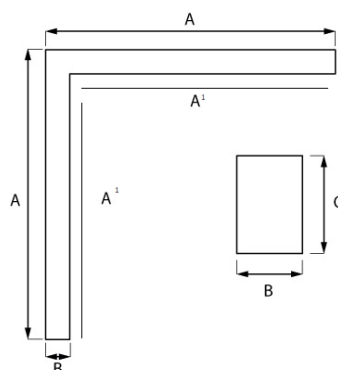
Linear modules

| Power [W] | Color temperature [K] | CRI | Effective flux [lm] * | Efficiency [lm/W] | Energetic class | Dimensions [mm] | | | Code / Wiring | |
|-----------|-----------------------|-----|-----------------------|-------------------|-----------------|-----------------|------|----|---------------|-----------|
| | | | | | | A | B | C | LED | LED DALI |
| 13 | 3000 | >80 | 1092 | 84 | A++ | 50 | 561 | 78 | 660000927 | 660000928 |
| 13 | 4000 | >80 | 1170 | 90 | A++ | 50 | 561 | 78 | 660000929 | 660000930 |
| 20 | 3000 | >80 | 1680 | 84 | A++ | 50 | 841 | 78 | 660001039 | 660001041 |
| 20 | 4000 | >80 | 1800 | 90 | A++ | 50 | 841 | 78 | 660001040 | 660001042 |
| 26 | 3000 | >80 | 2184 | 84 | A++ | 50 | 1121 | 78 | 660000931 | 660000932 |
| 26 | 4000 | >80 | 2340 | 90 | A++ | 50 | 1121 | 78 | 660000933 | 660000934 |
| 33 | 3000 | >80 | 2772 | 84 | A++ | 50 | 1401 | 78 | 660001035 | 660001037 |
| 33 | 4000 | >80 | 2970 | 90 | A++ | 50 | 1401 | 78 | 660001036 | 660001038 |
| 39 | 3000 | >80 | 3276 | 84 | A++ | 50 | 1681 | 78 | 660000935 | 660000936 |
| 39 | 4000 | >80 | 3510 | 90 | A++ | 50 | 1681 | 78 | 660000937 | 660000938 |
| 52 | 3000 | >80 | 4368 | 84 | A++ | 50 | 2241 | 78 | 660000939 | 660000940 |
| 52 | 4000 | >80 | 4680 | 90 | A++ | 50 | 2241 | 78 | 660000941 | 660000942 |
| 65 | 3000 | >80 | 5460 | 84 | A++ | 50 | 2801 | 78 | 660000943 | 660000944 |
| 65 | 4000 | >80 | 5850 | 90 | A++ | 50 | 2801 | 78 | 660000945 | 660000946 |



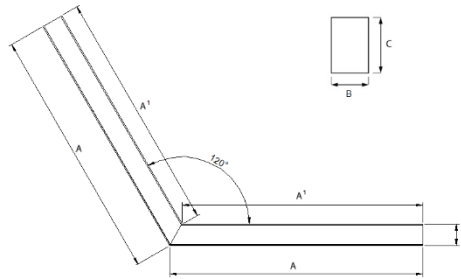
Ceiling corner modules (90°)

| Power [W] | Color temperature [K] | CRI | Effective flux [lm] * | Efficiency [lm/W] | Energetic class | Dimensions [mm] | | | | Code / Wiring | |
|-----------|-----------------------|-----|-----------------------|-------------------|-----------------|-----------------|-----|----|----|---------------|-----------|
| | | | | | | A* | A1* | B | C | LED | LED DALI |
| 26 | 3000 | >80 | 2184 | 84 | A++ | 595 | 545 | 50 | 78 | 660001011 | 660001012 |
| 26 | 4000 | >80 | 2340 | 90 | A++ | 595 | 545 | 50 | 78 | 660001013 | 660001014 |



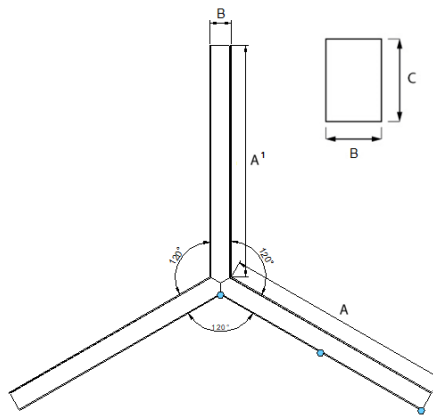
Wall / ceiling corner modules (90°)

| Power [W] | Color temperature [K] | CRI | Effective flux [lm] * | Efficiency [lm/W] | Energetic class | Dimensions [mm] | | | | Code / Wiring | |
|-----------|-----------------------|-----|-----------------------|-------------------|-----------------|-----------------|-----|----|----|---------------|-----------|
| | | | | | | A* | A1* | B | C | LED | LED DALI |
| 26 | 3000 | >80 | 2184 | 84 | A++ | 615 | 537 | 50 | 78 | 660001015 | 660001016 |
| 26 | 4000 | >80 | 2340 | 90 | A++ | 615 | 537 | 50 | 78 | 660001017 | 660001018 |



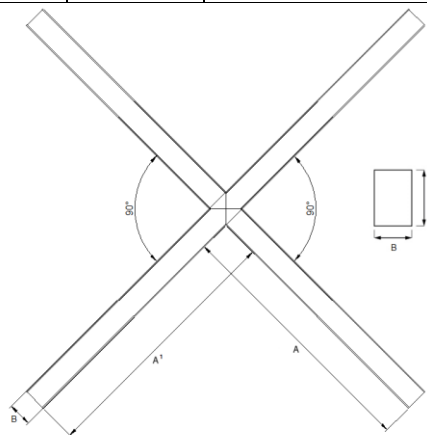
Corner modules (120°)

| Power [W] | Color temperature [K] | CRI | Effective flux [lm] * | Efficiency [lm/W] | Energetic class | Dimensions [mm] | | | | Code / Wiring | |
|-----------|-----------------------|-----|-----------------------|-------------------|-----------------|-----------------|-----|----|----|---------------|-----------|
| | | | | | | A* | A1* | B | C | LED | LED DALI |
| 26 | 3000 | >80 | 2184 | 84 | A++ | 580 | 551 | 50 | 78 | 660001019 | 660001020 |
| 26 | 4000 | >80 | 2340 | 90 | A++ | 580 | 551 | 50 | 78 | 660001021 | 660001022 |



Y Geometry

| Power [W] | Color temperature [K] | CRI | Effective flux [lm] * | Efficiency [lm/W] | Energetic class | Dimensions [mm] | | | | Code / Wiring | |
|-----------|-----------------------|-----|-----------------------|-------------------|-----------------|-----------------|-----|----|----|---------------|-----------|
| | | | | | | A* | A1* | B | C | LED | LED DALI |
| 39 | 3000 | >80 | 3276 | 84 | A++ | 550 | 550 | 50 | 78 | 660001023 | 660001024 |
| 39 | 4000 | >80 | 3510 | 90 | A++ | 550 | 550 | 50 | 78 | 660001025 | 660001026 |



X Geometry

| Power [W] | Color temperature [K] | CRI | Effective flux [lm] * | Efficiency [lm/W] | Energetic class | Dimensions [mm] | | | | Code / Wiring | |
|-----------|-----------------------|-----|-----------------------|-------------------|-----------------|-----------------|-----|----|----|---------------|-----------|
| | | | | | | A* | A1* | B | C | LED | LED DALI |
| 52 | 3000 | >80 | 4368 | 84 | A++ | 545 | 545 | 50 | 78 | 660001027 | 660001028 |
| 52 | 4000 | >80 | 4680 | 90 | A++ | 545 | 545 | 50 | 78 | 660001029 | 660001030 |

* Dimensions excluding the heads (3mm thick each) at the beginning and end of the row.

** Actual flow may have a tolerance of ± 10%

*** The product is supplied as standard without end caps, to be ordered separately.

INSTALLATION ACCESSORIESCOD. **TC660004**

End caps in aluminum painted in DRY WHITE color.
2-piece kit.

COD. **KFC660000**

Bracket for installation on plasterboard.
Material galvanized steel sheet.
Including fixing screws.
3-piece kit.

COD. **KPR660004**

90 ° wall fixing bracket.
Material galvanized steel sheet painted DRY WHITE.
Including fixing screws.
2-piece kit.

COD. **KP4660004**

45 ° wall fixing bracket.
Material galvanized steel sheet painted DRY WHITE.
Including fixing screws.
2-piece kit.

COD. **KFS660000**

Union bracket for installation in a continuous line, made of galvanized steel.
Fixing screws supplied.

COD. **KS012**

Suspension cable L = 2000mm
To be provided 2 pcs for each lamp.

COD. **CVT~~x~~X075L020**

Transparent power cable. L = 2000m Ø 0,75mmq
Cable available with 3-5-7 poles related to the selected wiring configuration.
Change the red **x** to the required number of poles.

COD. **KS02504E**

Electrified square canopy with 2 holes for the passage of the power supply and suspension cable, with connection terminal board. Painted in DRY WHITE color.